



# studioPGRB

## HIGH GRACE

### MATERIALS

CAST BRASS, SPUN BRASS, MOLD BLOWN GLASS

### LEAD TIME

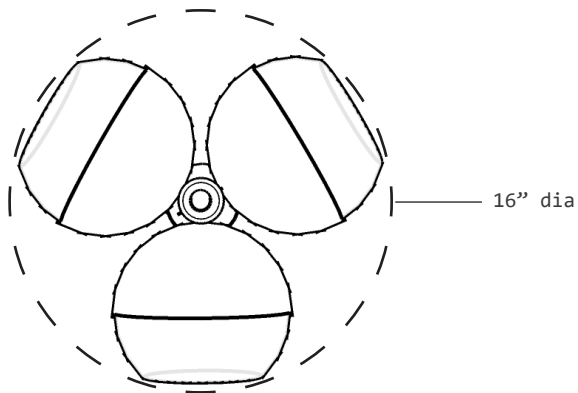
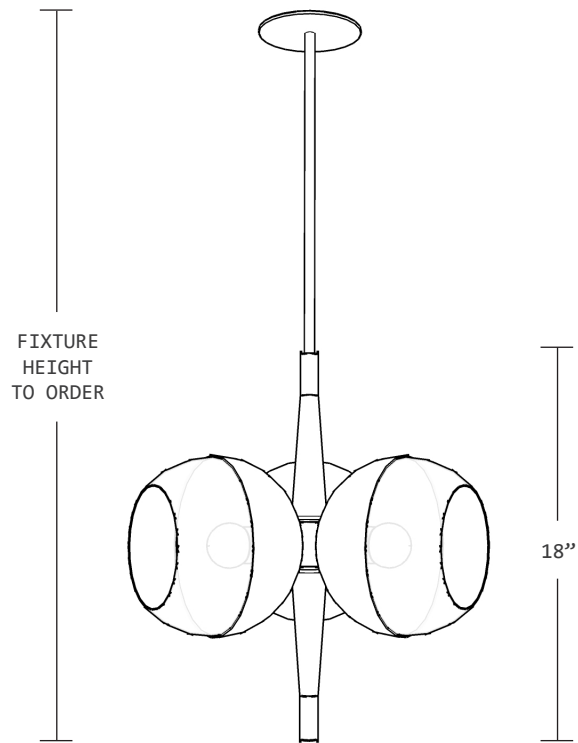
6 TO 8 WEEKS

### FINISHES

STANDARD FINISH: SATIN BRASS

PREMIUM FINISHES: (AVAILABLE AT AN UPCHARGE)  
BRUSHED BRASS / BRUSHED NICKEL / BRUSHED PEWTER  
POLISHED NICKEL / SATIN NICKEL

# studioPGRB



## DIMENSIONS

PENDANT: 16" DIA. X 18" H  
CANOPY: 5" Ø X .75" H

**WEIGHT:** 5.5 LBS

## LAMPING

(3) 4.5 WATT G16 LED FROSTED GLOBE BULBS (40 WATT EQUAL)  
DIMMABLE / E26 BASE / 300 LUMENS / 120V / 2700 KELVIN

## MAX SOCKET WATTAGE

MAXIMUM 60 WATT PER SOCKET

## CERTIFICATION

UL LISTED IN US & CANADA



ALL FIXTURES ARE PROUDLY MADE TO ORDER,  
FINISHED AND ASSEMBLED BY HAND IN OUR  
MIAMI, FLORIDA STUDIOS

CUSTOMIZATIONS AVAILABLE UPON REQUEST

\*PRICING SUBJECT TO CHANGE WITHOUT NOTICE