

studioPGRB

SABER SCONCE

INSPIRED BY THE ICONIC LIGHT SABER, ONE OF SCIENCE FICTIONS ULTIMATE WEAPONS. THE SABER SCONCE IS DESIGNED WITH AN UNDERSTATED ELEGANCE THAT FEELS AT HOME IN EVEN THE MOST SOPHISTICATED ENVIRONMENTS.

MATERIALS

BRASS, GLASS

LEAD TIME

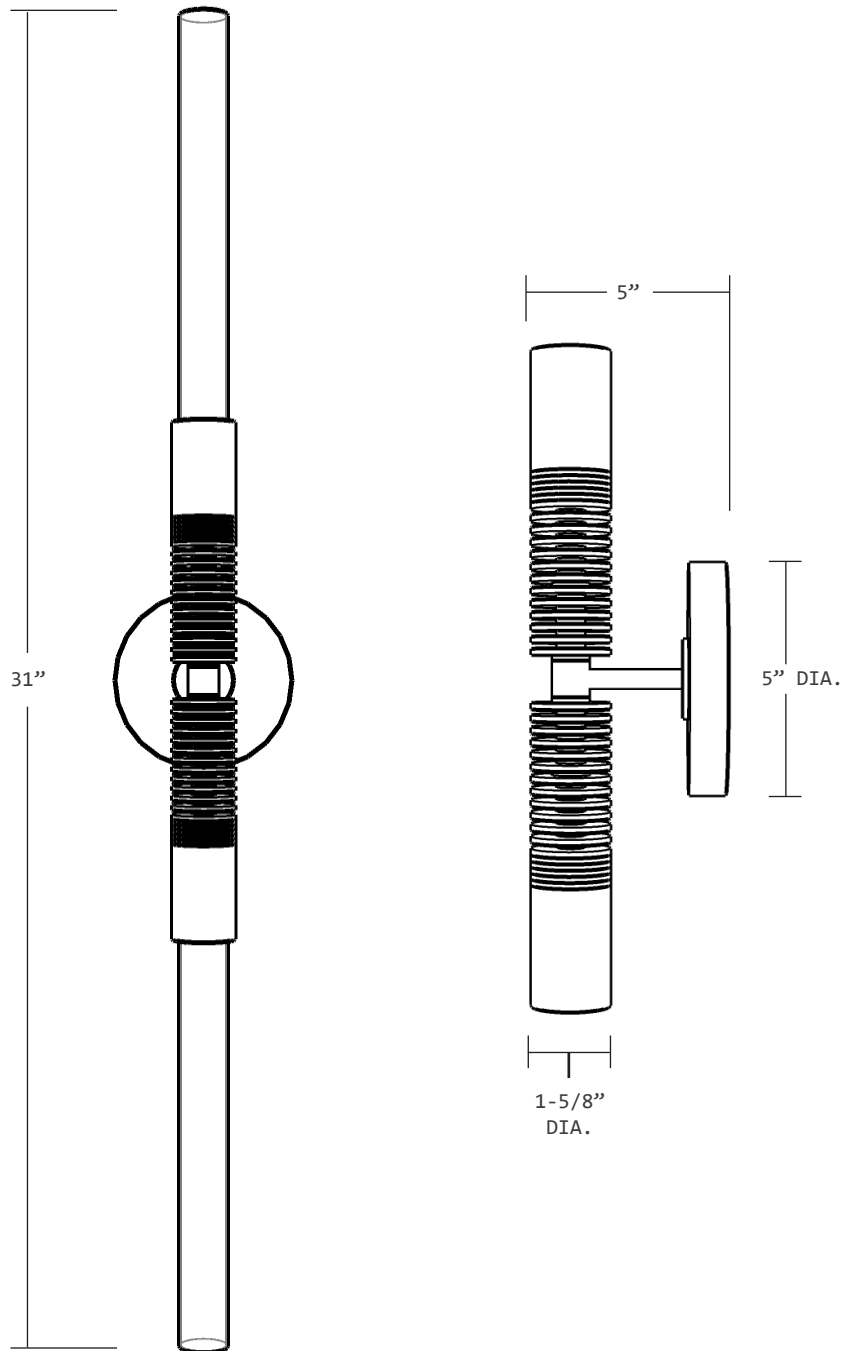
6 TO 8 WEEKS

FINISHES

STANDARD FINISH (NO UPCHARGE):
SATIN BRASS

FINISHES AVAILABLE AT AN UPCHARGE:
NATURAL BRASS / BRUSHED BRASS / BRUSHED NICKEL
BRUSHED PEWTER / POLISHED NICKEL / MATTE BLACK

studioPGRB



DIMENSIONS

SCONCE: 5" DIA. X 10" H
W/ BULB 31" H

CANOPY: 5" ϕ X .75" H

LAMPING

(2) 300MM 4 WATT LED T9 VINTAGE FILAMENT DIMMABLE BULBS.
BASE: E26
TEMP.: 2700K
VOLTAGE: AC 120V, AVAILABLE IN 220V
CRI: 95RA
LUMENS: 250 LUMENS

MAX SOCKET WATTAGE

MAXIMUM 60 WATT PER SOCKET

CERTIFICATION

UL LISTED IN US & CANADA



ALL FIXTURES ARE PROUDLY MADE TO ORDER,
FINISHED AND ASSEMBLED BY HAND IN OUR
MIAMI, FLORIDA STUDIO

CUSTOMIZATIONS AVAILABLE UPON REQUEST

*PRICING SUBJECT TO CHANGE WITHOUT NOTICE