

# studioPGRB

## PUJA

TO CELEBRATE OUR FIFTH YEAR WE RE-DESIGNED ONE OF THE VERY FIRST LIGHT FIXTURES WE CREATED.

## MATERIALS

BRASS, FROSTED GLASS

## LEAD TIME

6 TO 8 WEEKS

## FINISHES

STANDARD FINISH: (NO UPCHARGE)

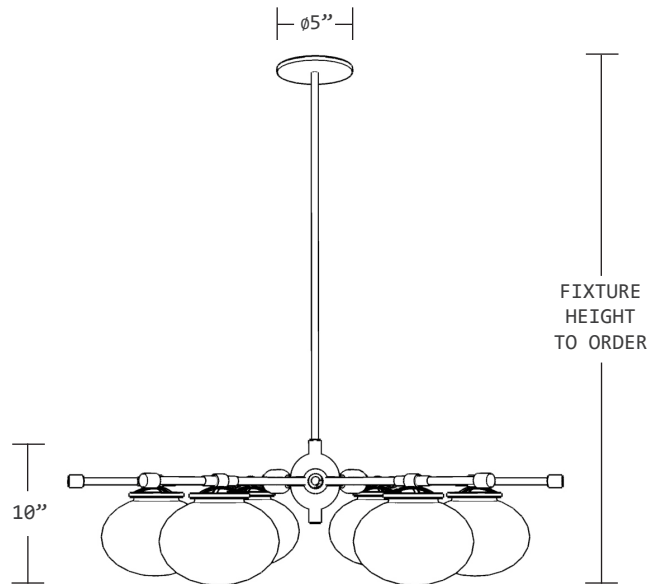
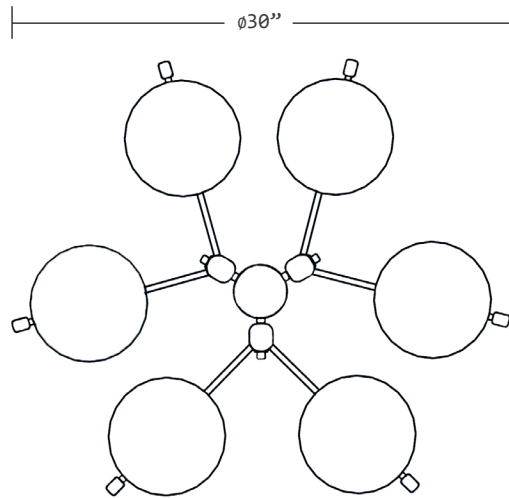
SATIN BRASS

FINISHES AVAILABLE AT AN UPCHARGE:

NATURAL BRASS / BRUSHED BRASS / BRUSHED NICKEL  
BRUSHED PEWTER / POLISHED NICKEL / SATIN NICKEL  
MATTE BLACK



# studioPGRB



## DIMENSIONS

PENDANT: APPROX. 30" DIA. X 10" H

CANOPY: 5" Ø X .25" H

WEIGHT: 12 LBS.

## LAMPING

(6) 5 WATT G16 LED FROSTED GLOBE BULBS (40 WATT EQUAL)  
DIMMABLE / E26 BASE / 300 LUMENS / 120V / 2700 KELVIN

## MAX SOCKET WATTAGE

MAXIMUM 40 WATT PER SOCKET

## CERTIFICATION

UL LISTED IN US & CANADA



ALL FIXTURES ARE PROUDLY MADE TO ORDER,  
FINISHED AND ASSEMBLED BY HAND IN OUR  
MIAMI, FLORIDA OR CHICAGO, ILLINOIS STUDIO.

CUSTOMIZATIONS AVAILABLE UPON REQUEST.

\*PRICING SUBJECT TO CHANGE WITHOUT NOTICE.