



# studioPGRB

## POP SCONCE

TWO FROSTED GLASS SHADES AND SOLID MACHINED BRASS SPHERES COME TOGETHER BEAUTIFULLY TO CREATE THE QUIRKY, CUTE AND APTLY NAMED POP SCONCE.

## MATERIALS

UNFINISHED BRASS, FROSTED GLASS

## LEAD TIME

6 TO 8 WEEKS

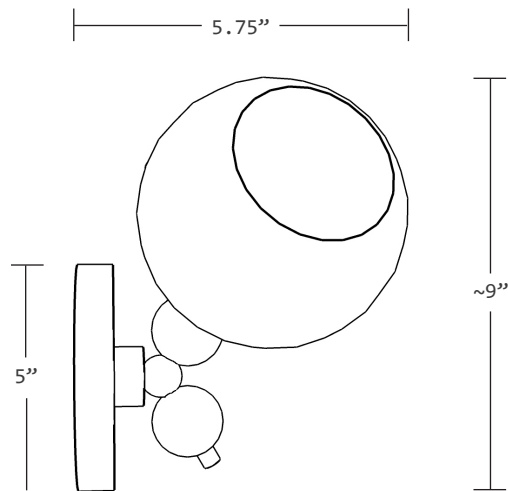
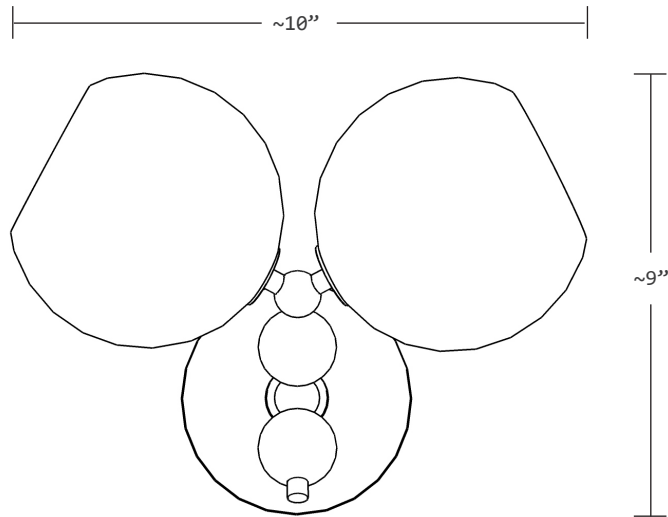
## FINISHES

STANDARD FINISH: SATIN BRASS

FINISHES AVAILABLE AT AN UPCHARGE:  
BRUSHED BRASS / SATIN NICKEL / BRUSHED PEWTER  
POLISHED NICKEL

TWO TONED: SATIN BRASS & MATTE BRASS

# studioPGRB



## DIMENSIONS

SCONCE: SEE DIAGRAM

CANOPY: 5"  $\varnothing$  X .75" H

## LAMPING

(2) 4 WATT G9 LED DIMMABLE G9 BI-PIN BULBS  
TEMP.: 3000K,  
VOLTAGE: AC 110-130V  
CRI: RA>80  
LUMENS: 400 LUMENS

## MAX SOCKET WATTAGE

MAXIMUM 60 WATT PER SOCKET

## CERTIFICATION

UL LISTED IN US & CANADA



ALL FIXTURES ARE PROUDLY MADE TO ORDER,  
FINISHED AND ASSEMBLED BY HAND IN OUR  
MIAMI, FLORIDA STUDIO

CUSTOMIZATIONS AVAILABLE UPON REQUEST

\*PRICING SUBJECT TO CHANGE WITHOUT NOTICE